



YOUNG PROFESSIONAL RESOURCES - 8209 ROUGHRIDER DR. STE. 101 WINDCREST, TX. 78239
FIRM F-8635 TELE: 210-590-9215 CELL: 210-373-3204 FAX: 210-590-9346

Owner: City of Converse

Project: **LOOP 1604 WATER AND SEWER MAIN EXTENSIONS PROJECT**

Date of Issuance: March 02, 2017

Addendum No. 1

This addendum shall be included in and be considered part of the plans and specifications for the above named project.

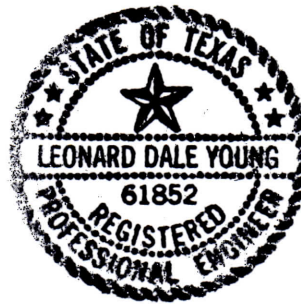
The Contractor is required to sign an acknowledgement of the receipt of this addendum at the time of receipt and is to return it with his/her bid proposal. Failure to do so may result in the Bidder's bid being considered as non-responsive.

1. **Change** – The bid opening date and time is changed to March 15, 2017 at 10:00 a.m. (CST). Location remains the same at Converse City Hal, 403 South Seguin Road, Converse Texas, 78109
2. **Plan Sheet Replacement** – Plan Sheet 28 has been revised and is replaced with new Sheet 28 as attached.

ISSUED BY:

Leonard D. Young, P.E.
Young Professional Resources

Attachments: Replacement Pan Sheet 28



Contractor Acknowledgement

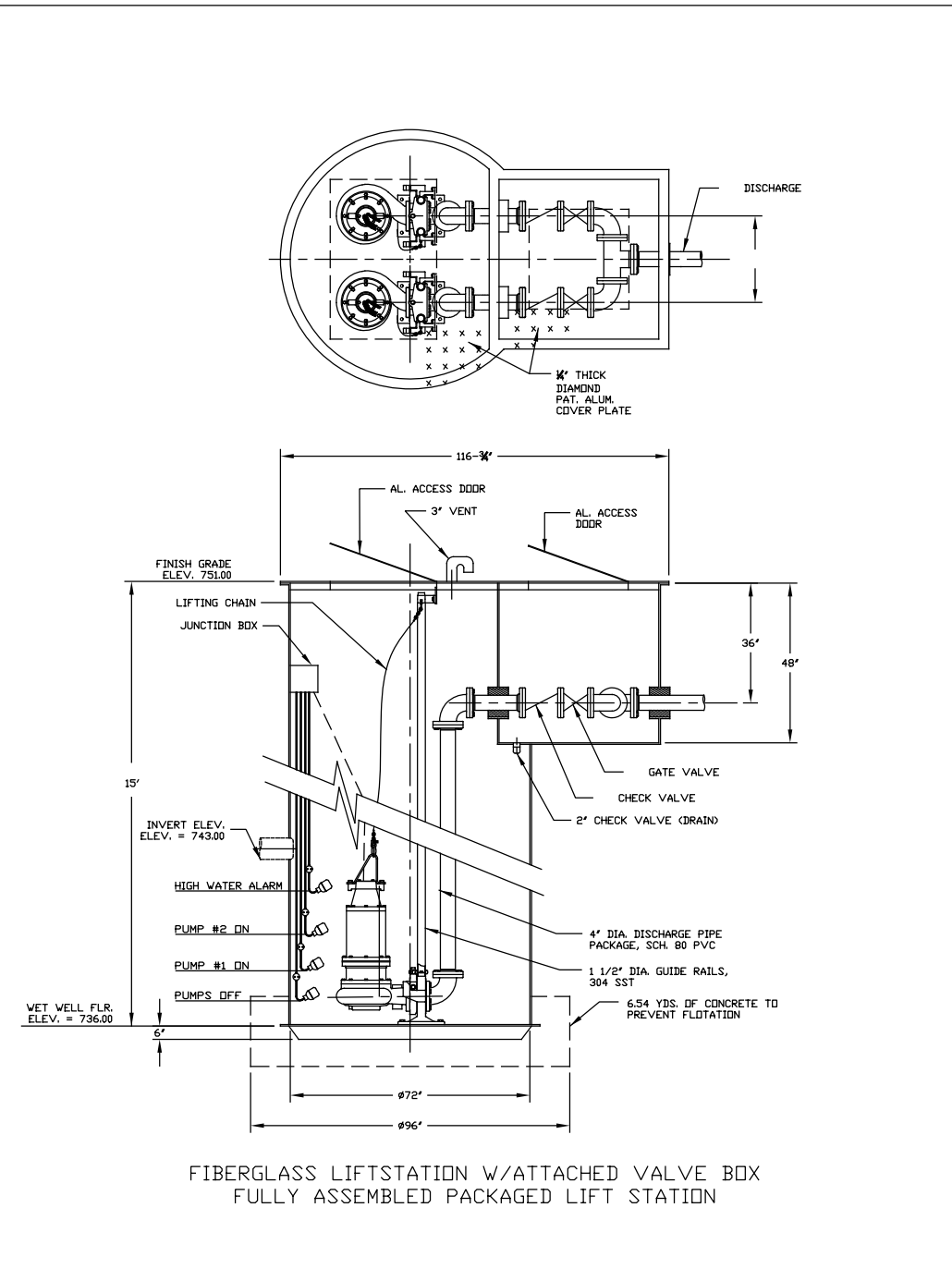
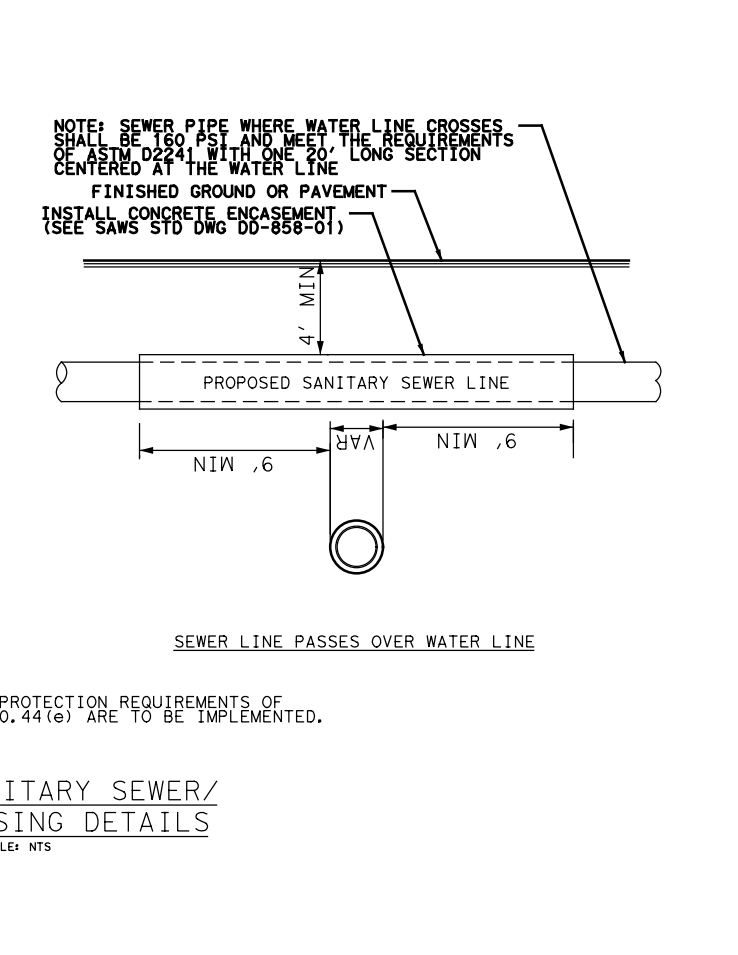
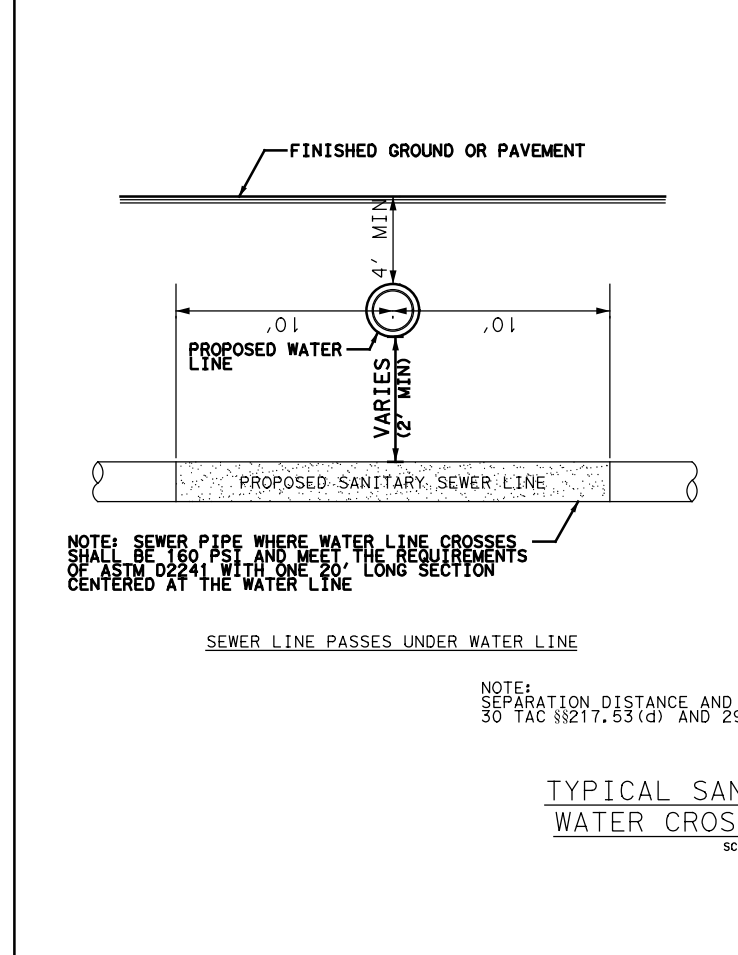
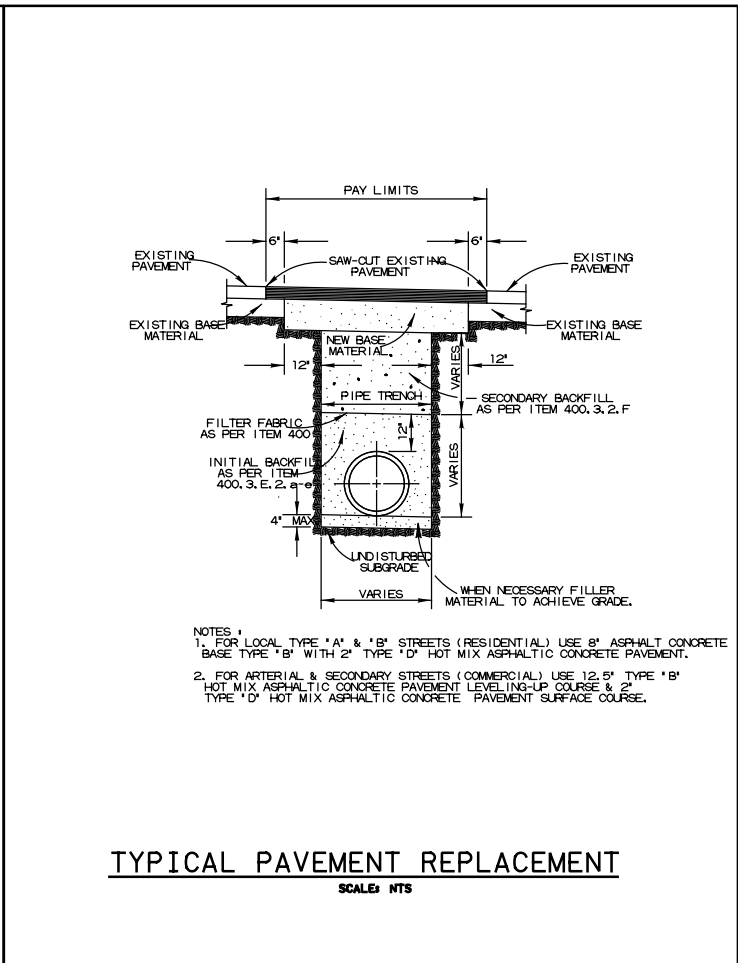
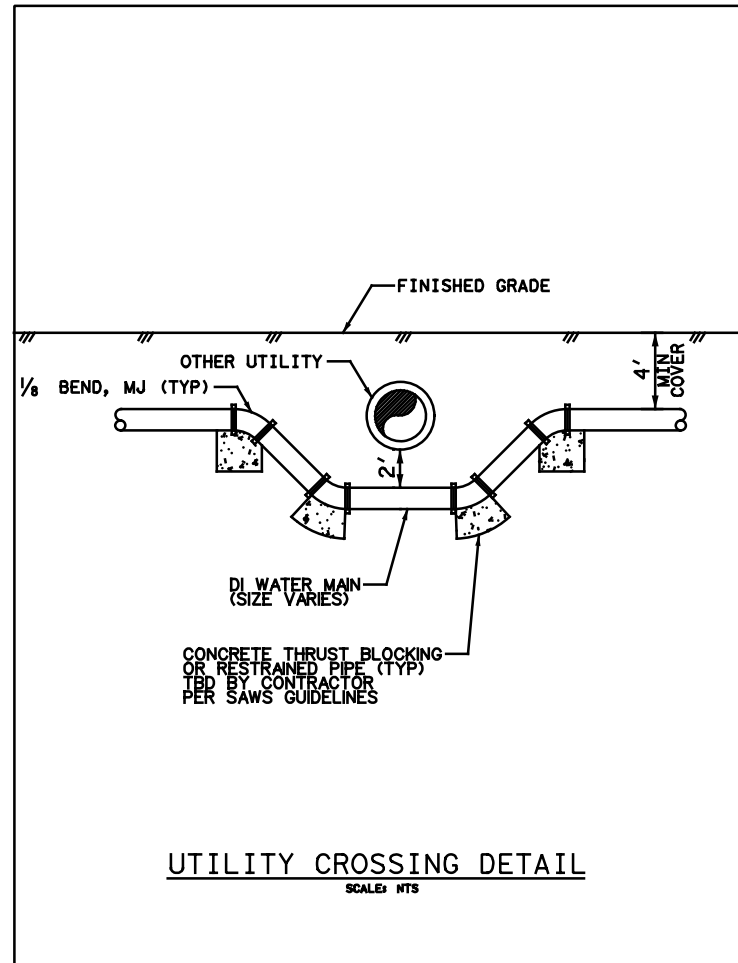
Name _____

Title _____

Date: _____

Plotted on: 3/2/2017

Design Filename: P:\Projects\City of Converse\Loop 1604 Bore Drawings\Civil\2plansheets\Sewer\SEWER DETAILS.dgn



100% SUBMITTAL

STATE OF TEXAS
LEONARD DALE YOUNG
61892
LICENSED PROFESSIONAL ENGINEER

STATE OF TEXAS
JAIME NORIEGA
93788
LICENSED PROFESSIONAL ENGINEER

LEONARD DALE YOUNG, P. E. DATE: 3-1-17

JAIME NORIEGA, P. E. DATE: 2017-03-01

YOUNG PROFESSIONAL RESOURCES 8209 Roughton Drive, Suite 101 Windcrest, TX 78239 Tel: (210) 590-9215 Fax: (210) 590-9346 Young Professional Resources Registration No. F-6635	
CITY OF CONVERSE	
LOOP 1604 BORE SANITARY SEWER FORCE MAIN LINE "A" DETAILS SHEET	
SHEET # OF #	
PROJECT No.	DATE: JAN 2017
DRWN BY: REM	DSGN BY: REM
CHKD BY: JN	SHEET No. 28